



Materials

Body: Aluminum

Internal Components: Brass and steel

Seals: Specially formulated polymers and elastomers specific to LPG applications.

External Components: Brass, stainless steel, anodized aluminum

OT321



OTA-300A



Features

◆ User-Friendly Single-Action

Operation - entire fueling operation is initiated by simply engaging nozzle to the receptacle with a single squeeze of the hand.

◆ **Hammer-Lock Technology** - maximum durability. Designed specifically for frequent coupling and uncoupling.

◆ **Ergonomic Design** - insulated handle protects operator from temperature effects created by high-flowing LP gas. Minimal force required to engage nozzle.

◆ **Durable Construction** - heavy-duty brass, aluminum and stainless steel construction provides excellent corrosion resistance in the harsh fueling environment.

◆ **Ease of Use** - incorporates a single plane 360° inlet swivel.

◆ **Safety** - will not dispense gas until securely engaged onto an appropriate receptacle. Once engaged, will not disengage until released by operator.

◆ **Individually Leak Tested and Inspected with Traceable Serial Numbers**

◆ **Replaceable Rubber Cover** - deflects venting LP gas away from operator's hand.

Specifications:

MAWP: 350 psi (24 bar)

LPG Discharge on Disconnect: Less than 1 cm³

Locking Release: Trigger or Lever

Coupling Style: Italian Style

Temperature Range: -40° F to 185° F
(-40° C to 85° C)

Autogas OT300 and OTA-300A Series LPG Nozzle

The OPW Autogas OTA-300 and OTA-300A are designed for the Italian-Type coupling. Nozzle inlet has 1" BSPP threads.

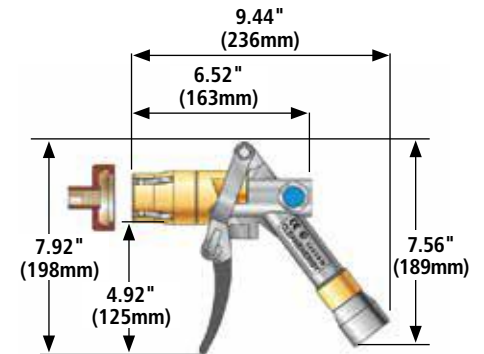
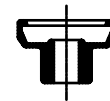
The OTA-300A Series Nozzle features:

- ◆ Stainless Steel pistons for improved durability
- ◆ Reduced volume of residual vent gas for improved environmental performance.

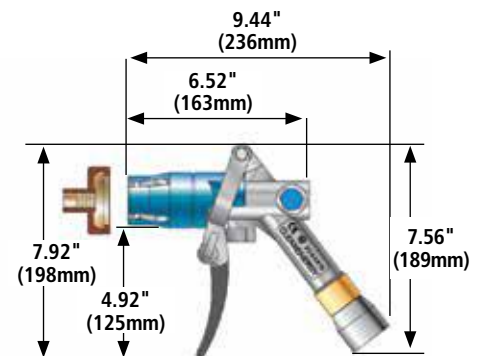


OT420 Rubber Cover

OTA-300A connects to Italian Dish Coupler (Shown Below)



OTA-300BA



OTA-300A

Ordering Specifications

Product #	Inlet Thread Size	Service Pressure		Weight
OT300	1" BSPP	350 psi	24 bar	3.08 lbs. (1.40 kg)
OT300BRASS	1" BSPP	350 psi	24 bar	
OTA-300A	1" BSPP	350 psi	24 bar	
OTA-300BA (Brass)	1" BSPP	350 psi	24 bar	
OT321	3/4" - 14 BSPP Female x 1" - 11 BSPP Male			
OT420	Replaceable Rubber Cover			

All LPG Autogas nozzles are available in BSPP threads.

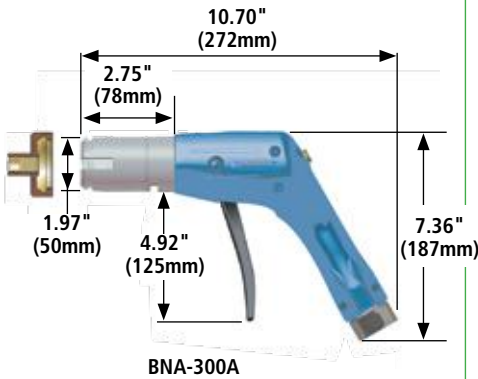


Autogas BNA-300A and BNA-300HGA Series LPG Nozzles

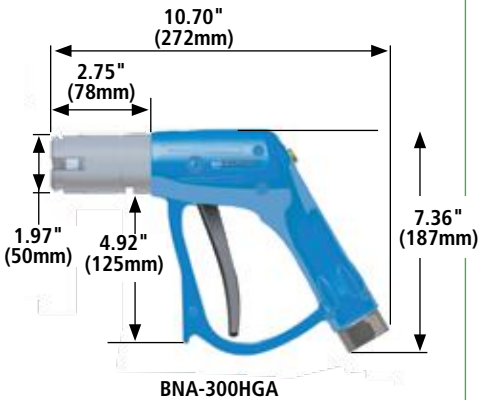
The BNA-300A and BNA-300HGA nozzles with Thumb Release are designed for the Italian-Type coupling. Nozzle inlet has 1" BSPP threads. Also available in brass models.



OT321



BNA-300A



BNA-300HGA

Materials

Body: Aluminum

Internal Components: Brass and steel

Seals: Specially formulated polymers and elastomers specific to LPG applications.

External Components: Aluminum and stainless steel



BNA-300HGA

BNA-300A

Features

◆ User-Friendly Single-Action Operation

- entire fueling operation is initiated by simply engaging nozzle to the receptacle with a single squeeze of the hand.

◆ **New Ergonomic Design** - 2 resin shells insulate and protect the internal parts from falls and the operator from the effects of the low temperature generated by the high-flow LPG. Minimum effort is required to couple the nozzle and the ergonomic release button makes release easier. **BNA-300HGA comes with lever guard.**

◆ **Ease of Use** - incorporates a single plane 360° inlet swivel.

◆ **Low Vent Volume upon Disconnect:** 1.6cc

◆ Replaceable Rubber Cover

(optional) - deflects venting LP gas away from operator's hand.

◆ **Nylon/Fiberglass Hand Insulator** - protects operator from low temperature effects.

◆ **Individually Leak Tested and Inspected with Traceable Serial Numbers**

Specifications:

MAWP: 362 psi (25 bar)

LPG Discharge on Disconnect: Less than 1 cm³

Locking Release: Push Button on Body

Coupling Style: Italian Style

Temperature Range: -40° F to 212° F
(-40° C to 100° C)

Ordering Specifications

Product #	Inlet Thread Size	Service Pressure		Weight
BNA-300A	1" BSPP	362 psi	25 bar	3.41 lbs. (1.55 kg)
BNA-300HGA	1" BSPP	362 psi	25 bar	3.52 lbs. (1.60 kg)
OT321	3/4" - 14 BSPP Female x 1" - 11 BSPP Male			
OT420	Replaceable Rubber Cover			